



**SMD Air Coil Inductor
PSAC1006 Series**

Web:<http://www.dgpinzhan.com>
E-mail:sale@dgpinzhan.com

Part Code	Date	Production	Type	Vers	Page
PSAC1006-Series	2018/11/5	Tom	DIP	A001	1

4.General Properties:

It is recommended that the temperature of the component does not exceed +125°C under worst case conditions.

Storage Temperature: -20 °C up to +60 °C

Operating Temperature: -40 °C up to +125 °C

Temperature Rise < 55K.

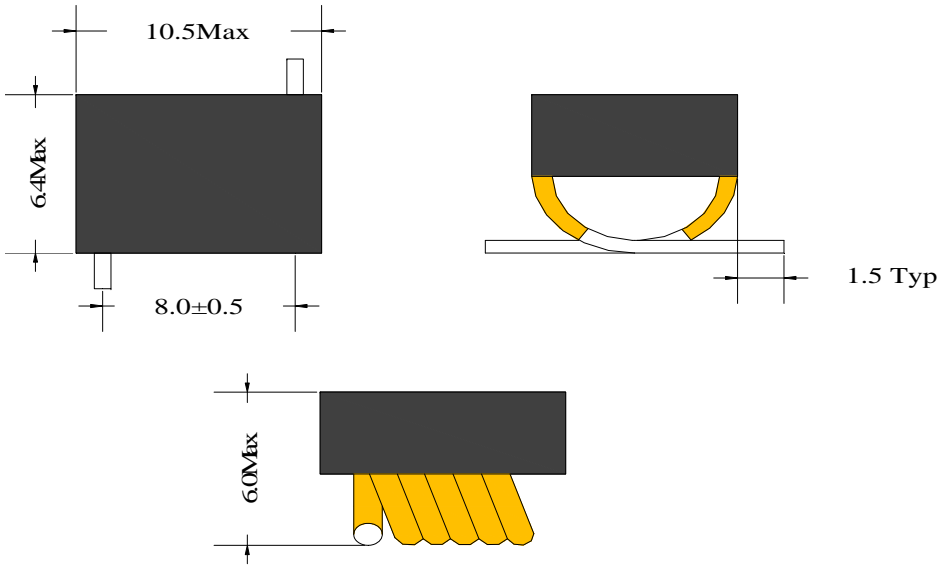
Test conditions of Electrical Properties: +20°C, 33% RH if not specified differently.

5.Electrical Properties:

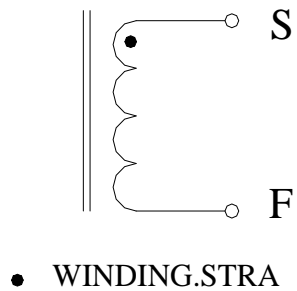
Part Code	Inductance	Tolerance	DCR	SRF	Rated Current
	nH	5% 10%	MΩ (Max)	MHz (Min)	A (Max)
PSAC1006-R90NJ	90	J	15	1140 (REF)	3.5
PSAC1006-R111J	111	J	15	1020 (REF)	3.5
PSAC1006-R130J	130	J	20	900 (REF)	3.0
PSAC1006-R169J	169	J	25	875 (REF)	3.0
PSAC1006-R206J	206	J	30	800 (REF)	3.0
PSAC1006-R222J	222	J	35	730 (REF)	3.0
PSAC1006-R246J	246	J	35	685 (REF)	3.0
PSAC1006-R307J	307	J	35	660 (REF)	3.0
PSAC1006-R380J	380	J	50	590 (REF)	2.5
PSAC1006-R422J	422	J	60	540 (REF)	2.5
PSAC1006-R491J	491	J	65	535 (REF)	2.0
PSAC1006-538J	538	J	90	490 (REF)	2.0

Test frequency: 150MHz

1.Dimensions: [mm]



2.Schematic:



3.PCB Layout Ref(mm)

